



951 Series Deadlock

Locks and latches

The Legge 951 Series short backset deadlocks are designed for metal door applications, with two backsets available. The 951 Series locks are designed for commercial applications such as shopping centres, hospitals and schools.



Features

- Lock case constructed of riveted steel plates
- Forends available for both aluminium and timber doors
- Bolt constructed of laminated steel
- 23mm and 30mm backsets
- 28mm bolt throw
- Supplied with slam shut strike plate

Warranties	
Mechanical	10 years
Finish	allegion.co.nz/finisheswarranty

Specification guide

Function	Sub-function	Finish	Backset
951 Deadlock	Cylinder and case fixed turn snib Double cylinder Single cylinder Case fixed turn snib - less cylinder	Aluminium Satin Stainless Steel	23mm 30mm

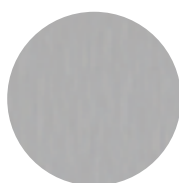
951 Deadlock Aluminium with 23mm backset (all functions and ALUM faceplate included)..... SCL10356
 951 Deadlock Aluminium with 30mm backset (all functions and SSS faceplate included)..... SCL10364

Finishes



ALUM

Aluminium



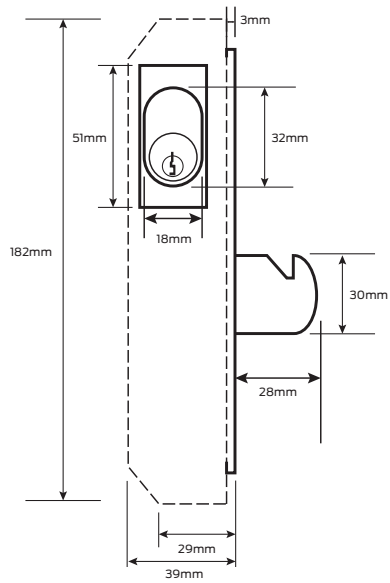
SSS

Satin Stainless
Steel

Sliding and hinged door available functions

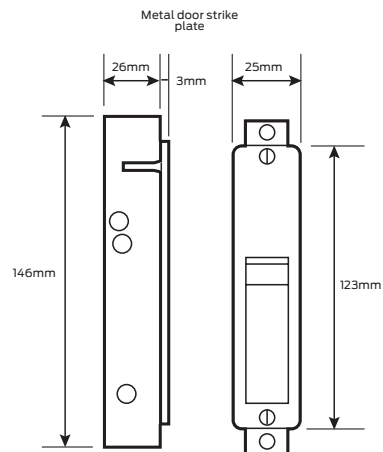
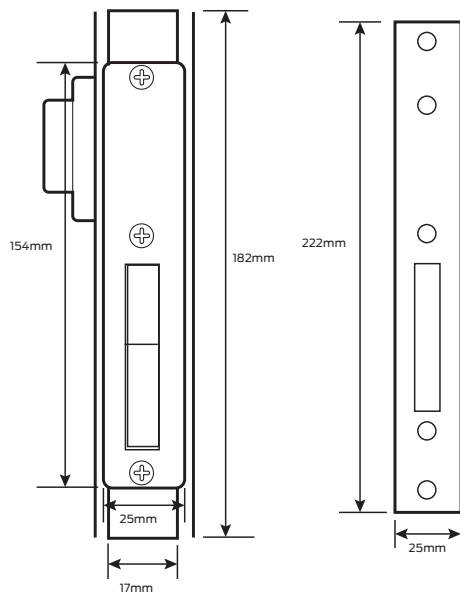
Model	Outside	Inside
Cylinder and case fixed turn snib		
Double cylinder		
Single cylinder		
Case fixed turn snib - less cylinder		

Legge 951 Series 23mm backset deadlock

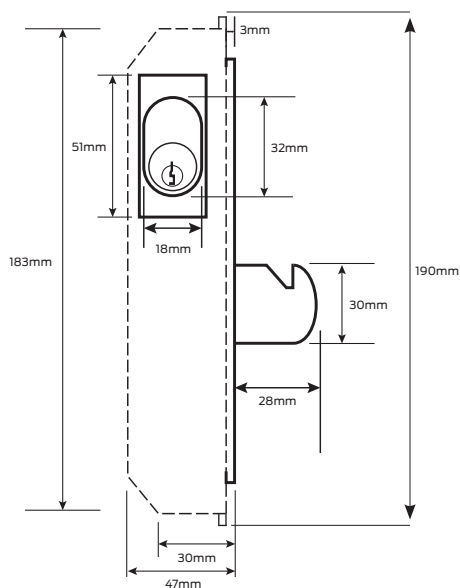


Specifications

Door type	Timber or metal
Door thickness	32mm to 55mm
Lock case/chassis	Plated steel riveted
Outer forend	Aluminium
Bolt	Laminated steel 28mm throw
Strike plate	Plated steel box with aluminium face plate
Backsets	23mm
Key cylinder	Oval - C4 6 pin keyway standard



Legge 951 Series 30mm backset deadlock



Specifications

Door type	Timber or metal
Door thickness	32mm to 55mm
Lock case/chassis	Plated steel riveted
Outer forend	Stainless steel
Bolt	Laminated steel 28mm throw
Strike plate	Plated steel box with stainless steel face plate
Backsets	30mm
Key cylinder	Oval - C4 6 pin keyway standard

